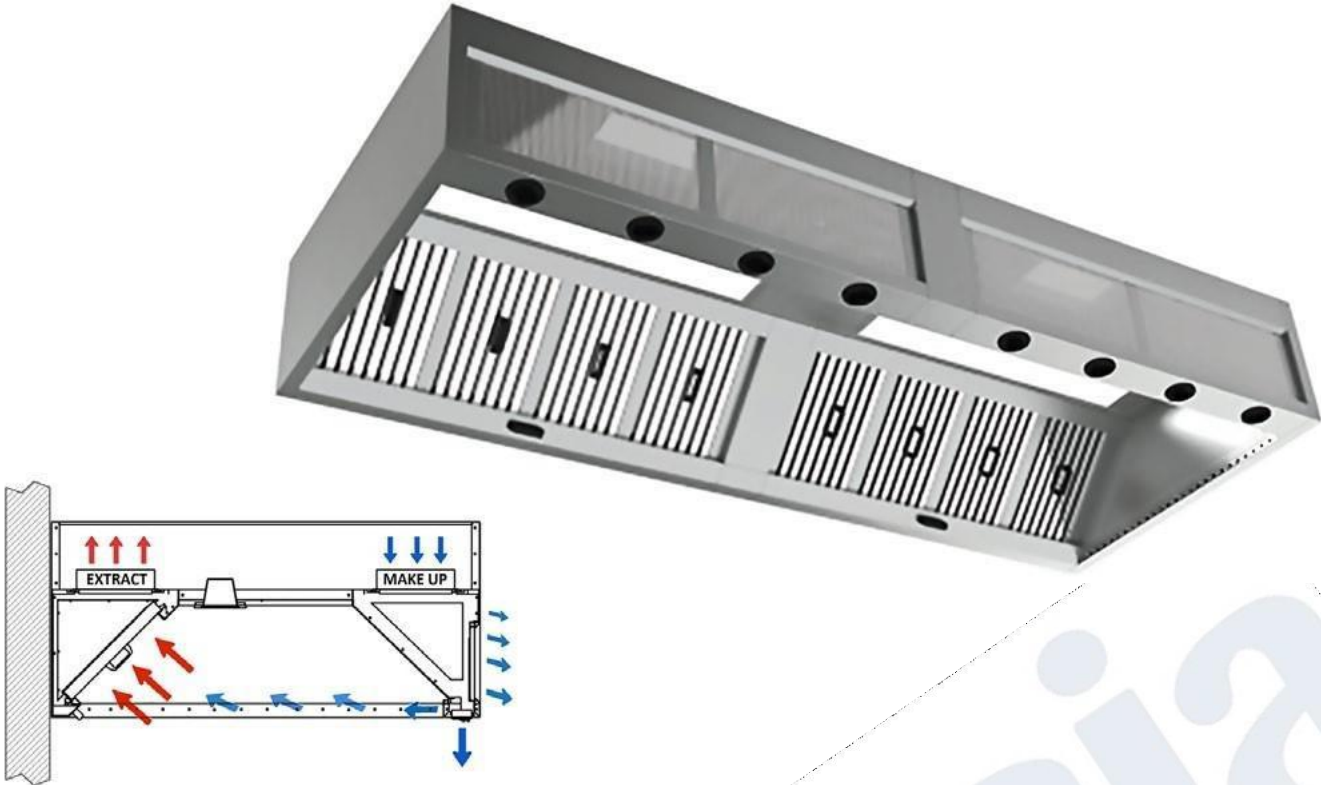


# Britannia Kitchen Ventilation

## Capturestream CS3

Extract with Front Supply, spot cooling and 3-sided induction supply



Britannia Capturestream 'CS3' Canopies offer total control over make-up air by providing diffused air to the front, spot cooling and the patented 'Capturestream' of air across the canopy from the front and two sides for superior performance through intelligent design and world-class baffle filter technology, all contributing to lower exhaust air rates.

Capturestream models with induction supply across the canopy suit those installations where ultimate performance is paramount.

### BRIEF SPECIFICATIONS

MINIMUM DIMENSIONS (PER SECTION):	1.0 D x 1.2 L x 490 H
MAXIMUM DIMENSIONS:	1.80 D x Unlimited Length x 1.50 H
STANDARD HEIGHT:	490mm (Other heights to order)
EXHAUST/ INLET SPIGOTS:	1 per 2.5m
FILTERS (SUPERSTREAM):	350 x 500mm Stainless Steel
POWER REQUIREMENT:	10A GPO
LIGHTING:	LED Lighting (Dictated by canopy length)
CONSTRUCTION:	#304 S/STEEL 0.9MM, SEAMLESS POLISHED SURFACES

Further details and project specific estimates available on request.