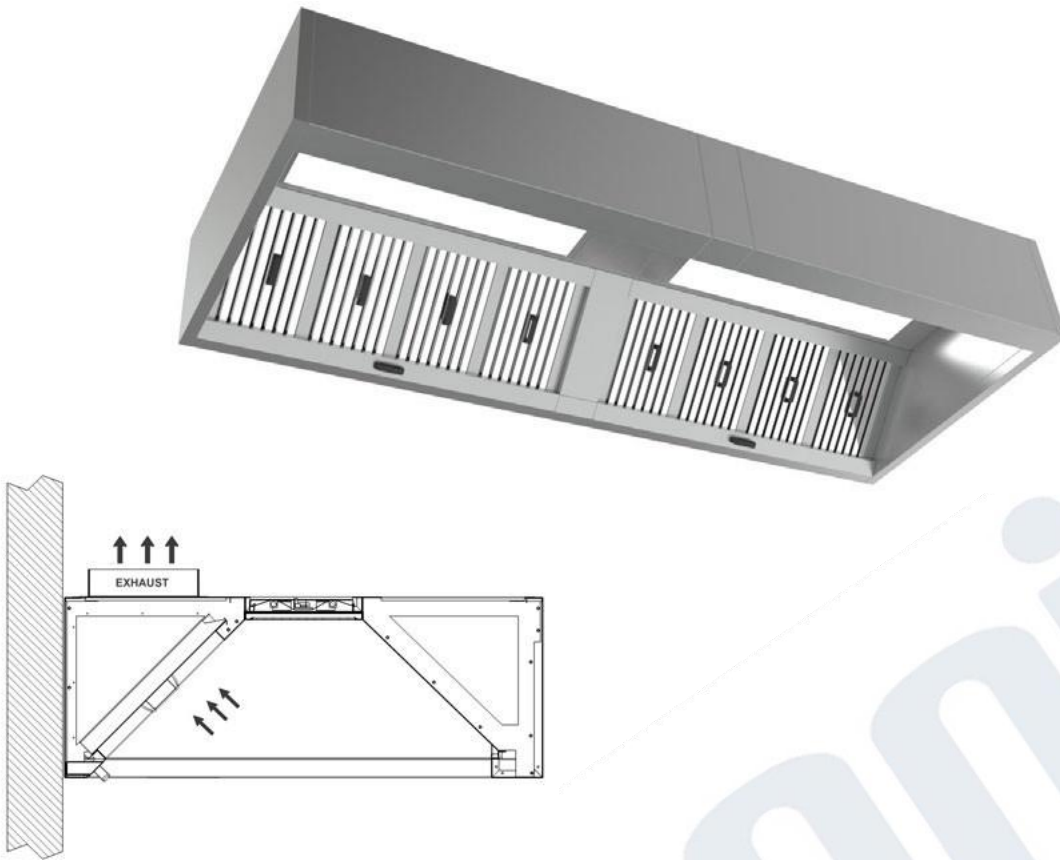


Britannia Kitchen Ventilation

Britstream *BE*

Extract only Standard Depth



Britannia Britstream 'BE' Canopies are the range that offer superior performance through intelligent design, and world-class baffle filter technology that contributes to lower exhaust air rates.

Extract only models suit those installations where high performance and economy is the requirement.

BRIEF SPECIFICATIONS

MINIMUM DIMENSIONS (PER SECTION): 1.0 D x 1.2 L x 490 H

MAXIMUM DIMENSIONS: 1.80 D x Unlimited Length x 1.50 H

STANDARD HEIGHT: 490mm (Other heights to order)

EXHAUST/ INLET SPIGOTS: 1 per 2.5m

FILTERS (SUPERSTREAM): 350 x 500mm Stainless Steel

POWER REQUIREMENT: 10A GPO

LIGHTING: LED LIGHTS

CONSTRUCTION: #304 S/STEEL 0.9MM, SEAMLESS POLISHED SURFACES

Further details and project specific estimates available on request.