



# Glass Chillers

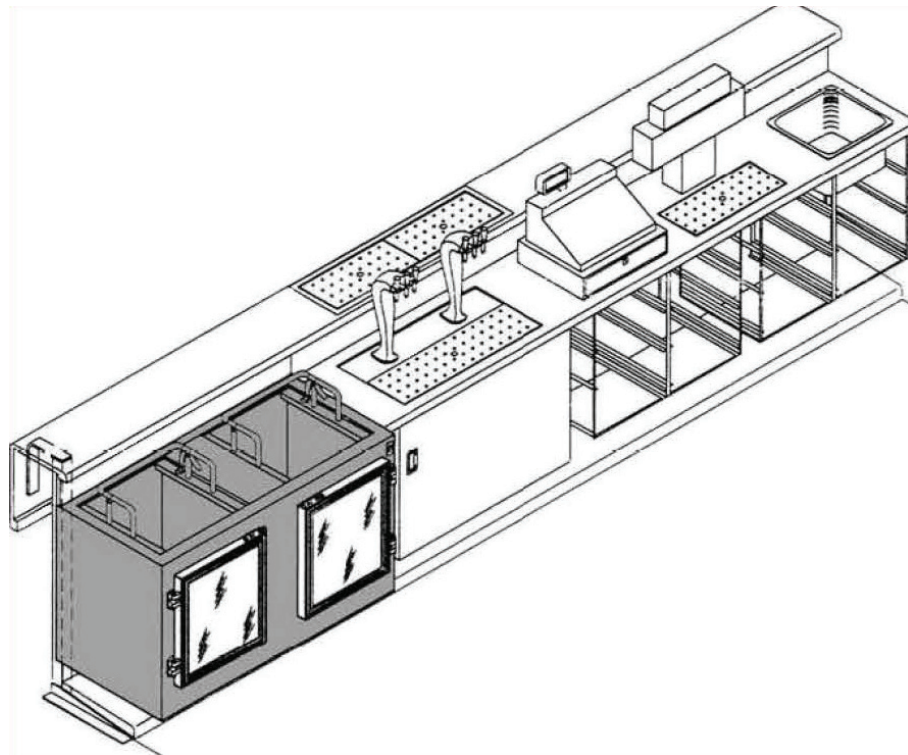
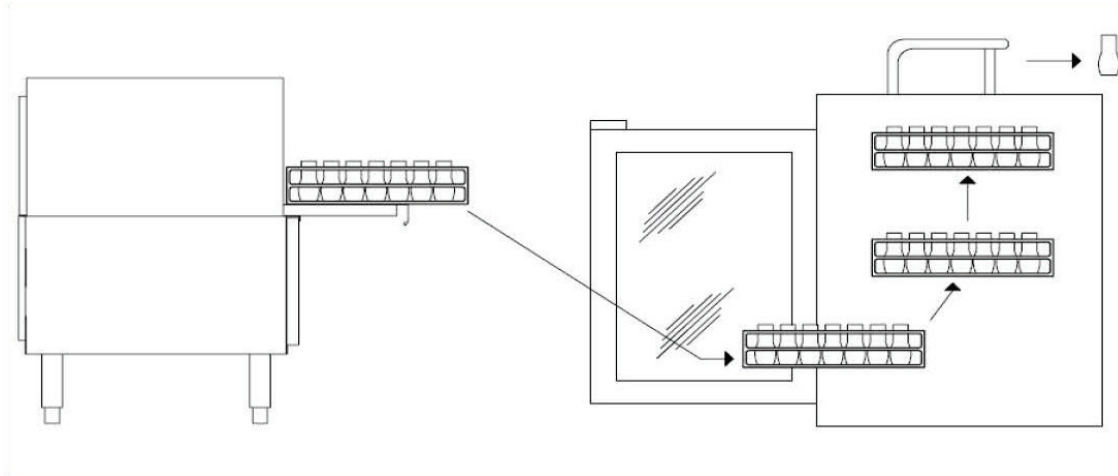
Custom made remote refrigeration glass chillers available in 1 or 2 bay models

## Features

- ✓ Continuous Availability of Chilled Glasses – Chills as Fast as You Can Serve
- ✓ Easy to Use – In the Bottom and Out the Top
- ✓ Spring Assisted Elevator System
- ✓ Fabricated as a Single Unit
- ✓ Easily Serviced from the Top
- ✓ Can be Connected to Existing Refrigeration Plant (Pending Capacity)

# Operation

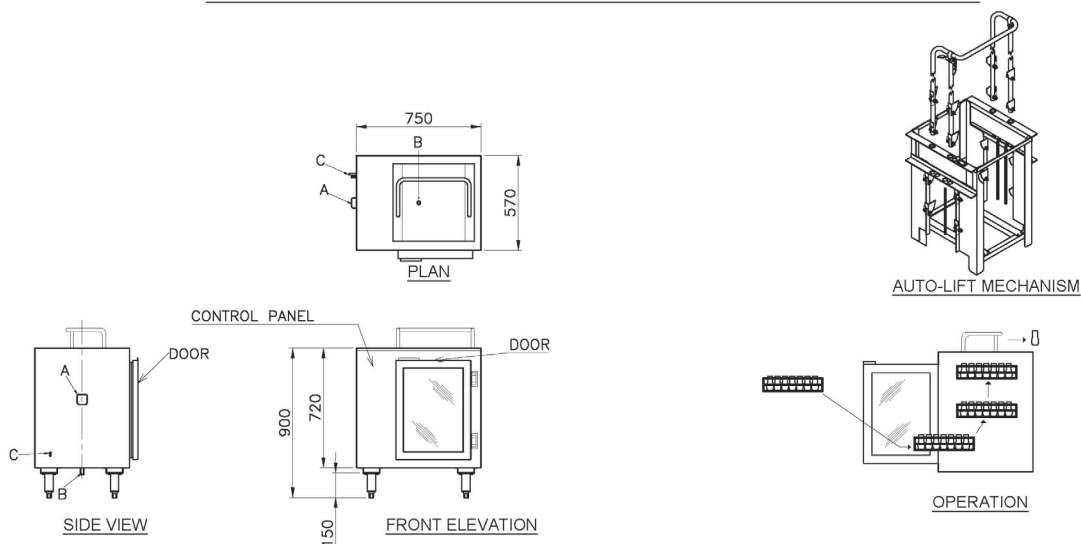
Typical Installation in  
Modern Split Level Bar



# Connections

10 amp 240V Three Core Flex  
 Drain  
 Refrigeration Tube Connection  
 Thermostat and Solenoid Fitted

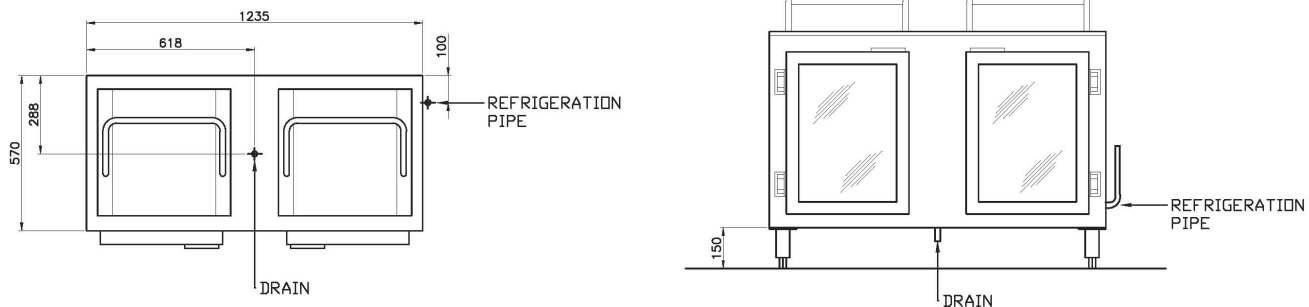
## SINGLE BAY GLASS CHILLER -LHS SERVICES



### CONNECTIONS:

- A. 10 amp 240v three core flex
- B. Drain
- C. Refrigeration tube connection

 <small>59 Hartley Road,                  Smeaton Grange,                  N.S.W. 2567                  Ph. (02) 4948-8000                  Fax. (02) 4948-8000                  info@hrcalliance.com.au</small>	PROJECT: <b>HRC                  STANDARD                  GC-LHS</b>	DWG TITLE: <b>SINGLE BAY                  GLASS CHILLER                  REMOTE</b>	JOB No: N/A	PLOTTED: 14.03.2018	SCALE: 1:20@A3	DWG No: 0000-400	REV: A
	DRAWN: HP	CHKD BY: JB	APPVD: JB				



HRC Glass Chiller

# Specifications

	1 BAY	2 BAY
Product Code	AL1B	AL2B
Capacity (Baskets/Door)*	3 Baskets	
Temperature	-5°C	
Spring Load	Yes	
Dimensions	750mm (L) x 570mm (D) x 900mm (H)	1235mm (L) x 570mm (D) x 900mm (H)
<b>STANDARD INCLUSIONS</b>		
Door Type	Glass Door/s	
Finish (Interior and Exterior, excluding rear and under)	Stainless Steel	
Spring Loaded Mechanism	Yes	
<b>ELECTRICAL</b>		
Power Supply	10amp	
Remote Wattages	1300 Watts (at -5°C)	

## GAS TYPE

Refrigerant Advise at Time of Order

\*Baskets sold separately

**For all sales, spare parts,  
and servicing, please  
contact us.**

**HRC ALLIANCE PTY LTD**  
59 Hartley Rd, Smeaton Grange NSW 2567  
Phone: (02) 4648 6000  
Email: admin@hralliance.com.au